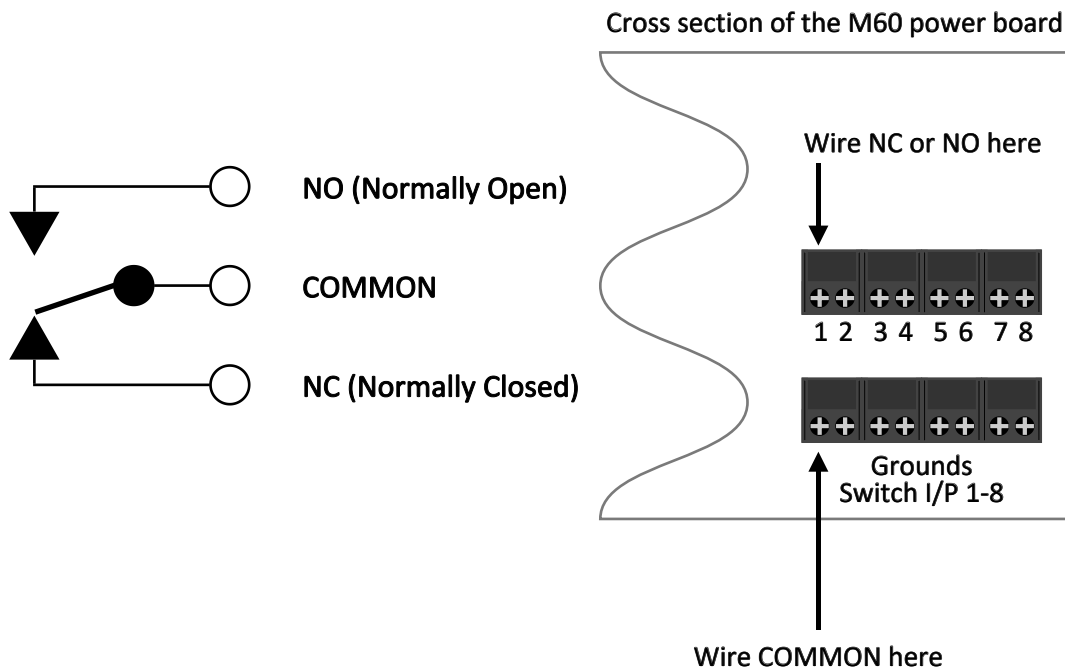
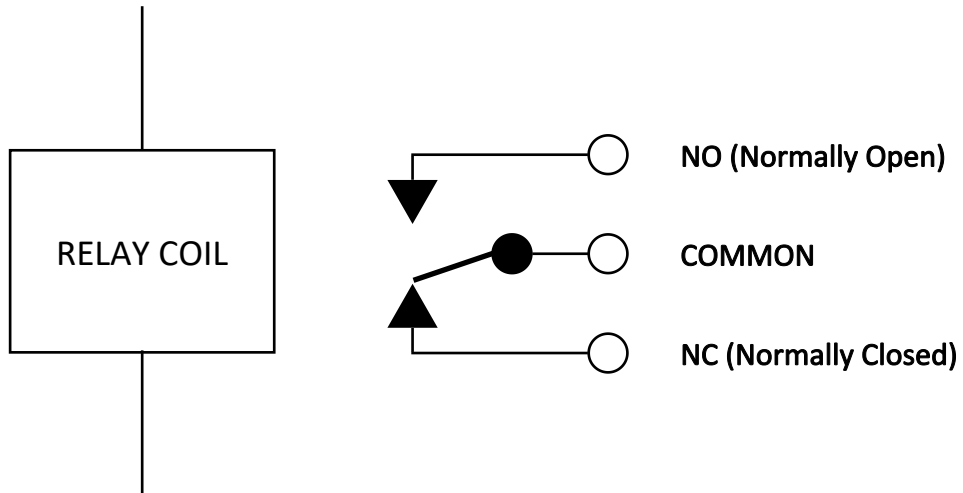


How to wire to the M60 Inputs

Details and diagrams explaining how to wire the M60 can be found in the Installation guide supplied with the M60 on CD/DVD. Below is a quick explanation on how to wire to the M60 Inputs/Sensors.



Remember you must set the appropriate DIL switch for each of the M60 inputs, to either Normally open (NO) or Normally Closed (NC), depending upon the input type connected.

Important

Under NO circumstances should any Voltage be connected to the M60 Switched Inputs.